

star

hydraulics ltd

SERVO TECHNOLOGY
AND RESEARCH

Model 890 Servovalve



- Nominal flows rates 95 to 230 l/min @ 70 bar
- Sapphire Technology
- Medium & High-Response characteristics
- Optional field replaceable filter
- Internal pilot supply

Star Hydraulics Ltd.
8A Beta Close
Tewkesbury Industrial Centre
Tewkesbury
Gloucestershire GL20 8SR
England U.K.

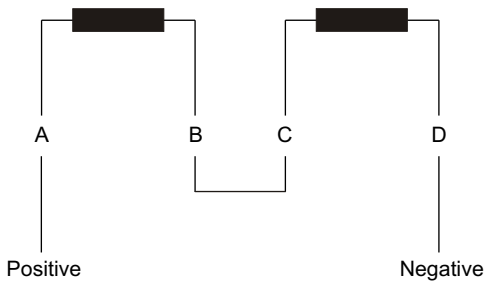
Tel.: 01684 296176
Fax.: 01684 850714

Email: sales@star-hydraulics.co.uk
Web: <http://www.star-hydraulics.co.uk>

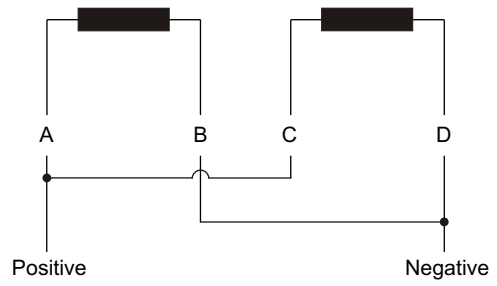
Nominal flow ratings	95, 150, 230 l/min at 70 bar p
Hysteresis	< 4% without dither
Threshold	< 1% without dither
Null bias	< 2%
Null shift	< 2%
with 40°C temp change	< 2%
with 70 bar supply pressure change	< 2%
with return pressure 0 to 35 bar	< 2%
Pressure gain	< 1% rated input signal for 60% of supply pressure
Seal materials available	FPM, NBR, EPDM
Operating temperature range	-30 °C to 130 °C
Proof pressure	
at pressure port	150% max supply pressure
at return port	100% max supply pressure
Burst pressure	
return port open	250% max supply pressure
External leakage	Zero
Degree of protection	IP 65 (BS EN 60529 : 1992)
Weight	
280 bar version	3.4 kg (w/ field filter 4.4 kg)
Mounting position	Horizontal, fixed or movable

Supply filtration	
minimum	$_{10}$ 75 (10 micron abs)
recommended	$_5$ = 200 (5 micron abs)
Fluid cleanliness level	
minimum	ISO 4406 - 16/13 NAS 1638 - class 7
recommended	ISO 4406 - 13/10 NAS 1638 - class 4
Supply pressure	
min. to effect spool movement	5 bar
minimum recommended	25 bar
maximum continuous	210 bar (FPM & EPDM) 280 bar (NBR)
Viscosity	VG 10 to 100 ISO 3448
Fluid type	Petroleum based mineral oils For operation with other media contact factory

Coil schematics



Series connection



Parallel connection

Output flow polarity

Flow in the direction of P→C2, C1→R will occur with the pilot stage coils configured as above.

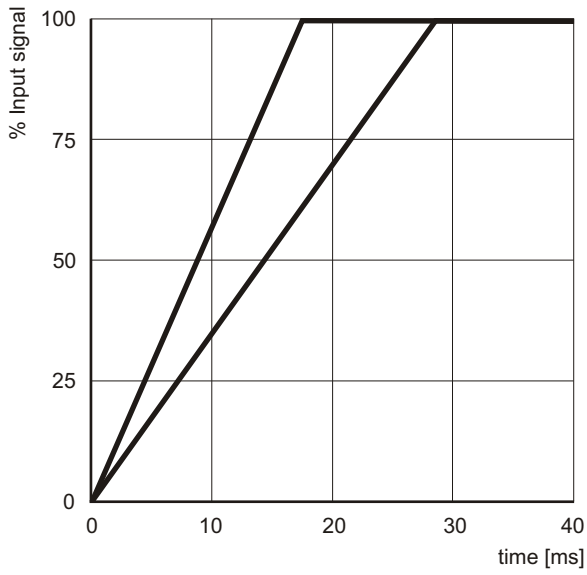
Coil options

Coil specification		Series connection		Parallel connection	
Rated signal [mA]	Resistance per coil [Ω]	Input current [mA]	Effective resistance [Ω]	Input current [mA]	Effective resistance [Ω]
10	1000	5	2000	10	500
15	200	7.5	400	15	100
20	1200	10	2400	20	600
30	300	15	600	30	150
30	800	15	1600	30	400
40	80	20	160	40	40
60	40	30	80	60	20
80	22	40	44	80	11
100	27	50	54	100	13.5
200	22	100	44	200	11

Electrical connection

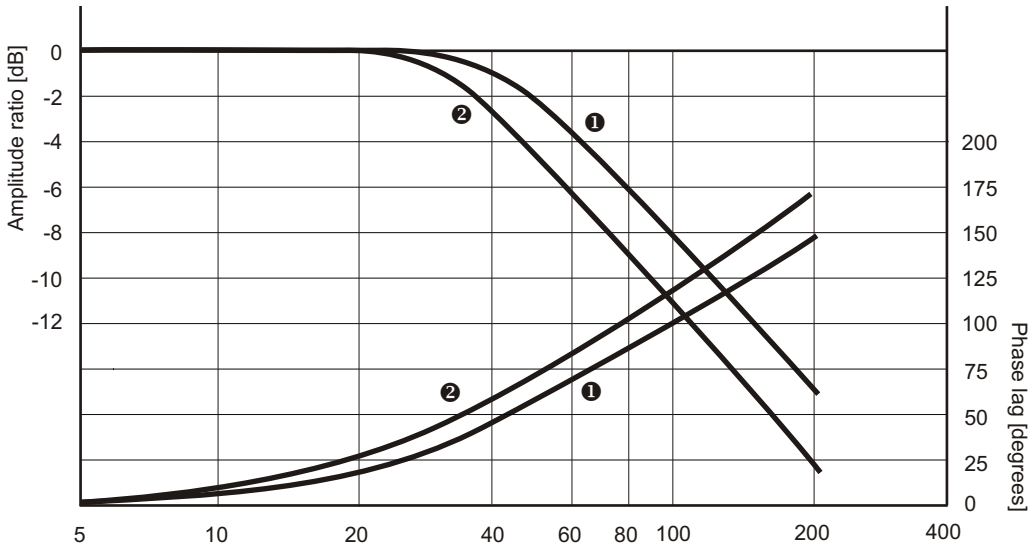
Standard connector is MS3102E-14S-2P (MIL-C-5015). Please contact factory for more options.

Transient Response (MR)

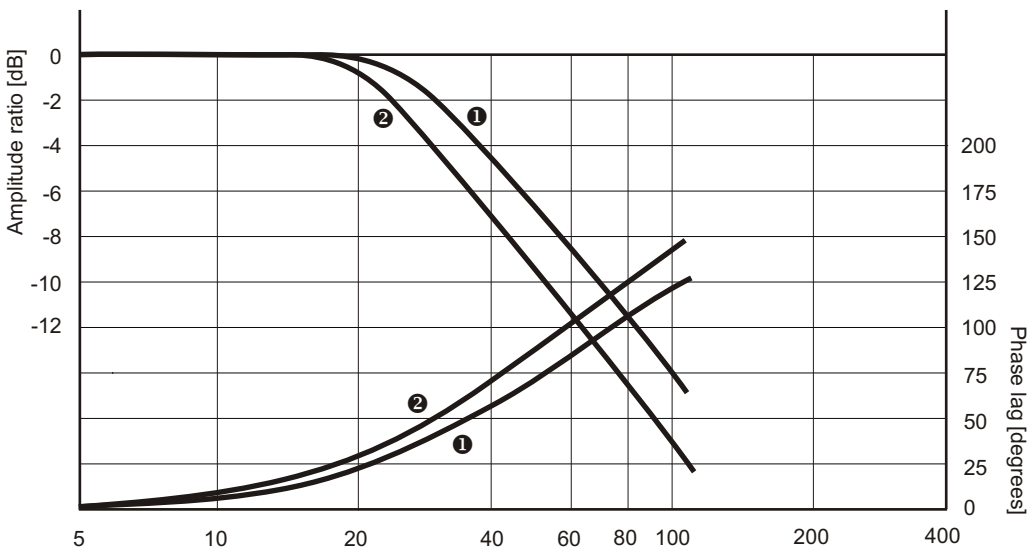


[1] Rated flow = 150 l/min
 [2] Rated flow = 230 l/min
 Supply pressure = 210 bar

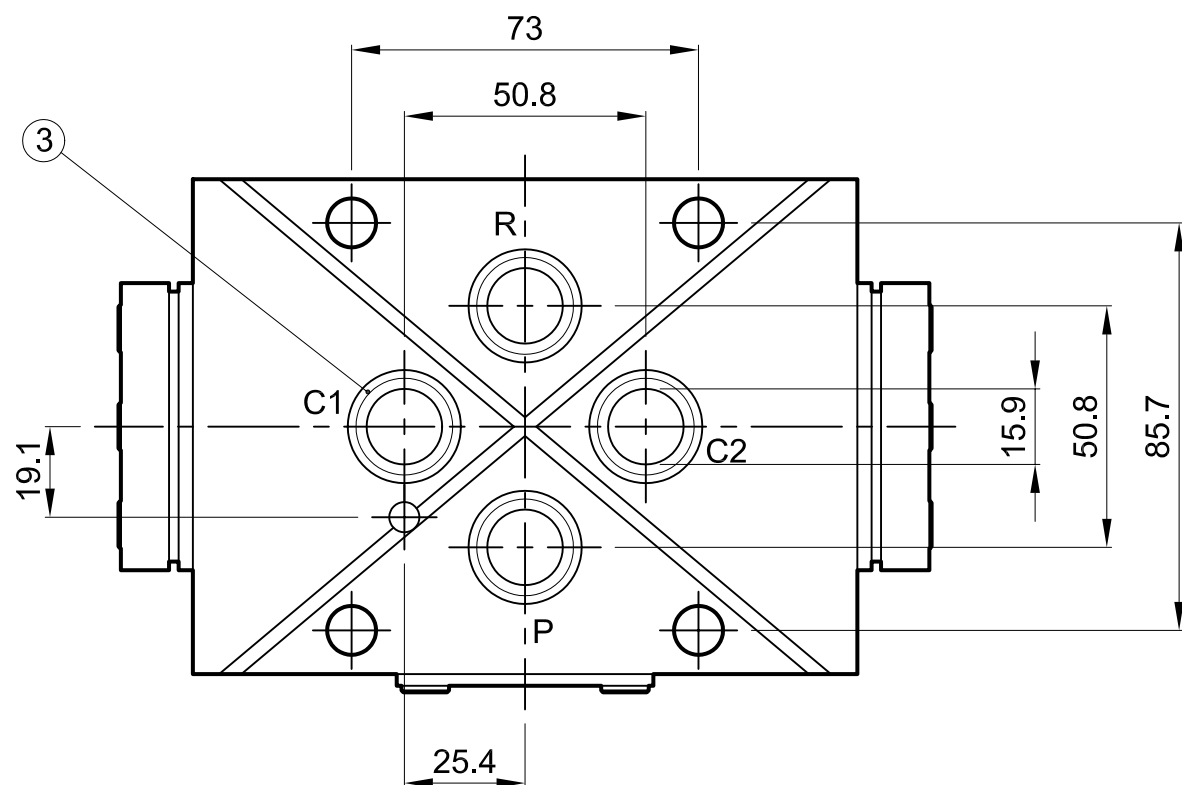
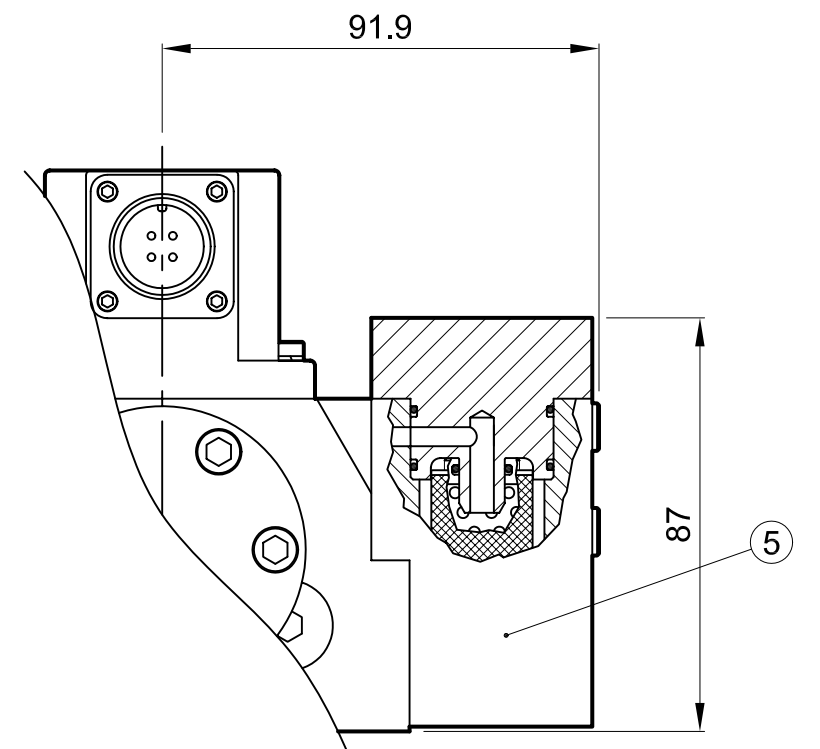
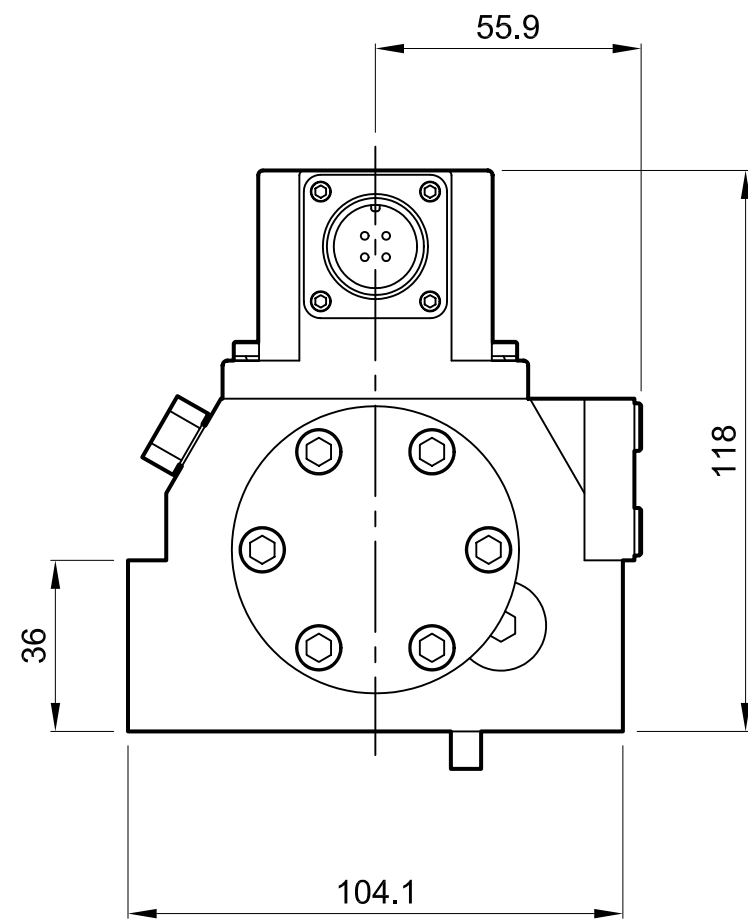
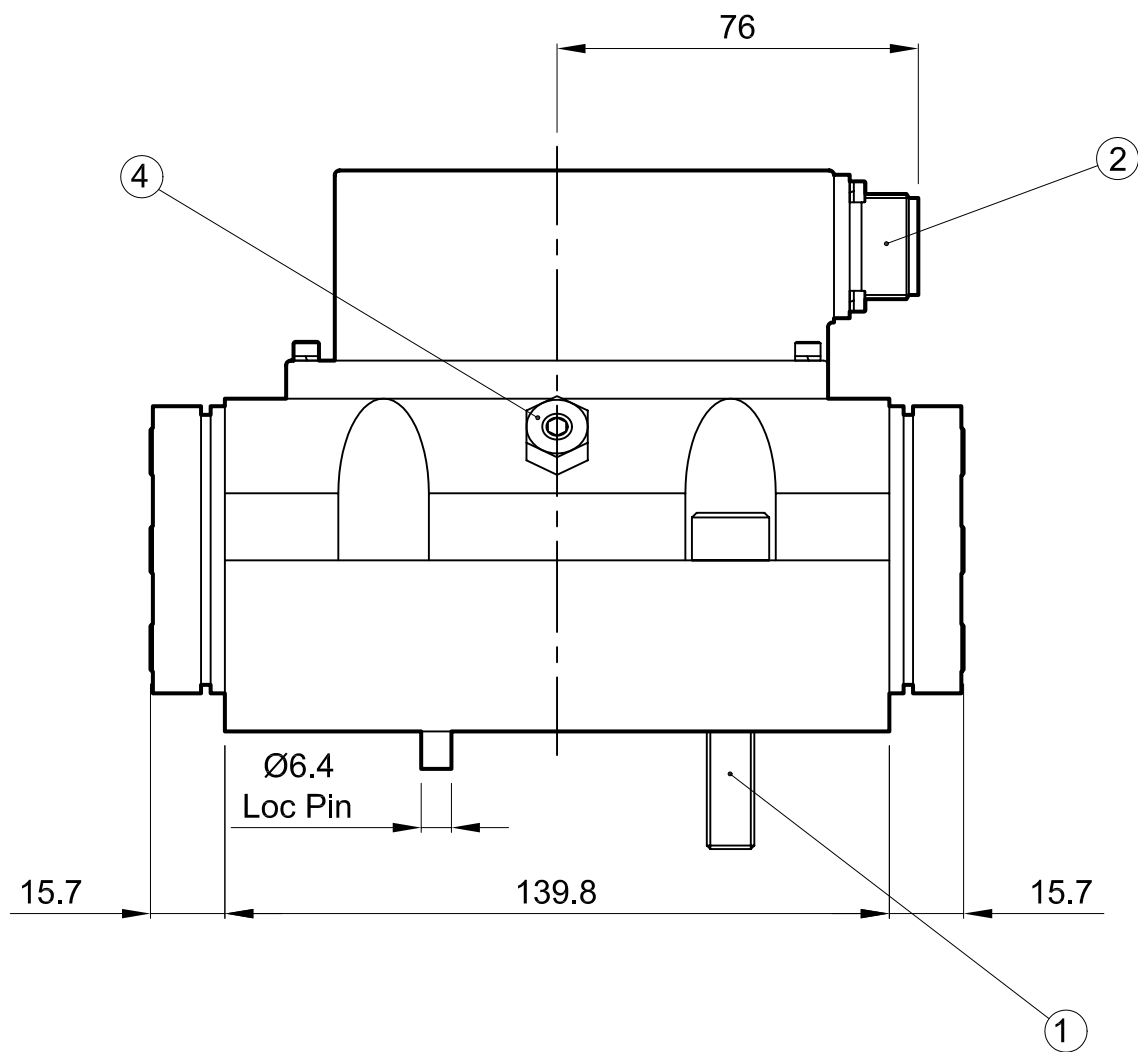
Frequency Response (MR)



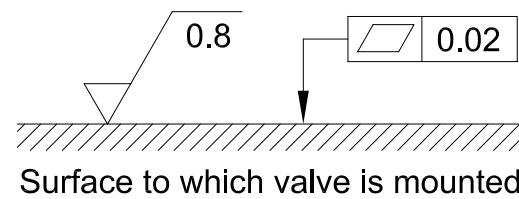
Input signal = 25%
 [1] Rated flow = 95 l/min
 [2] Rated flow = 230 l/min
 Supply pressure = 210 bar



Input signal = 100%
 [1] Rated flow = 95 l/min
 [2] Rated flow = 230 l/min
 Supply pressure = 210 bar



1. Suggested mounting bolts M10 x 60 long high tensile steel socket head cap screws.
2. 4-way electrical connector mates with MS3106-14S-2S or equivalent. Is available at 180° to position shown (advise desired position at time of order).
3. Base O-Rings: 20.35 I/D x 1.78 section (4 pcs).
4. Null adjust requires 12 A/F ring spanner and 3.0 hexagon key. Flow out of C2 will increase with clockwise rotation of key.
5. Optional field replaceable filter housing. Element P/No. SRS1479.

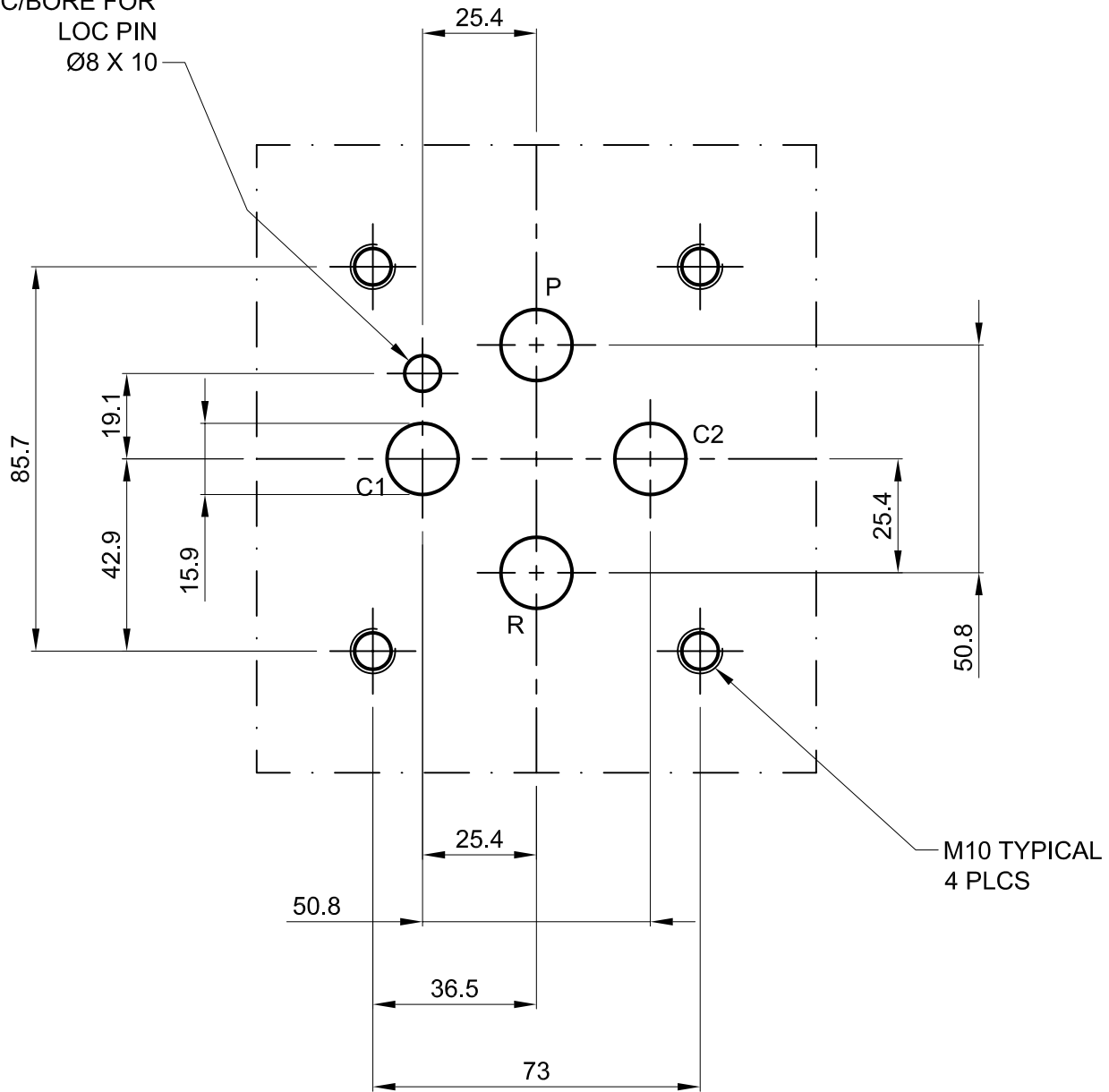


Installation Details Model 890

Dimensions in millimeters
3rd angle projection

Filename

C/BORE FOR
LOC PIN
Ø8 X 10



Manifold Dimensions Model 890

Dimensions in millimeters
3rd angle projection

Filename

